

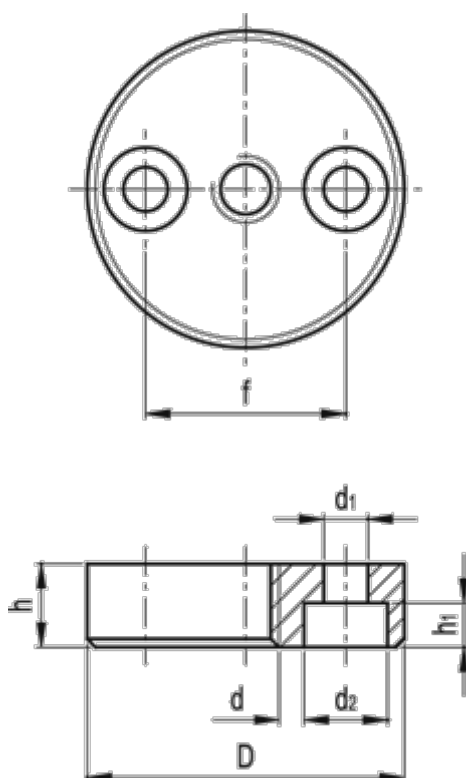
# Data Sheet



Article number: 20599454

Description: E+G Threaded mounting plate  
GN 349-36-M12

## Measures



d = M12

D = 36

d1 = 5.3

d2 = 10

f = 24

h = 10

h1 = 5.3

Weight (g) = 63